



Technical Data

Specification & Capacities

KIRPY AR800



EN 13000

01.10.2023 | rev.01

[m] [kg]



• KIRPY AR800



• Manual Vacuum Pad Attachment



• Semi-Auto Vacuum Pad Attachment



• Full-Auto Vacuum Pad Attachment



• Curved Glass Attachment



• Cart Attachment

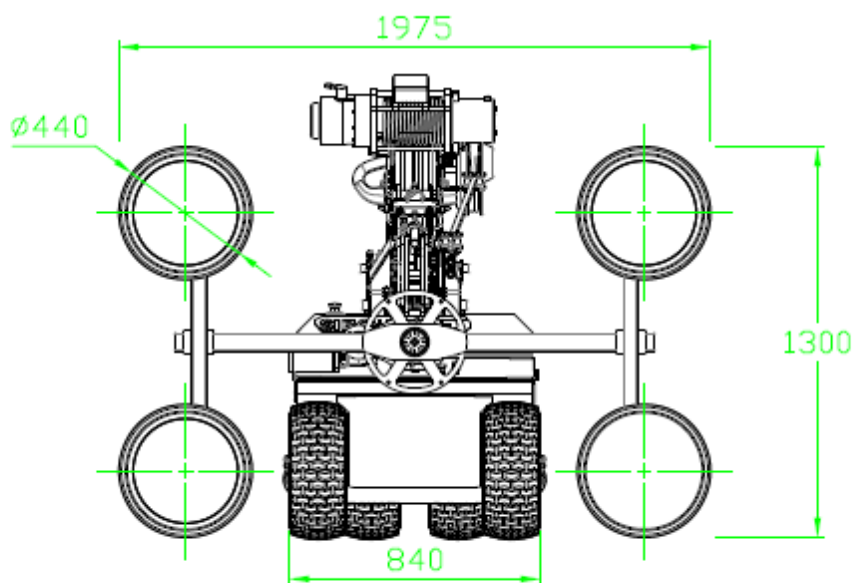
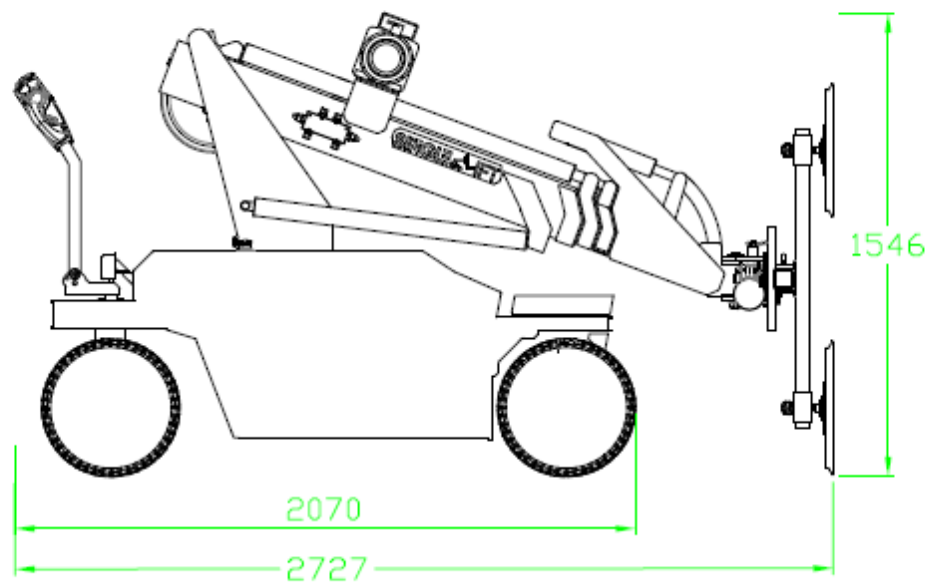


- Electric Winch Attachment

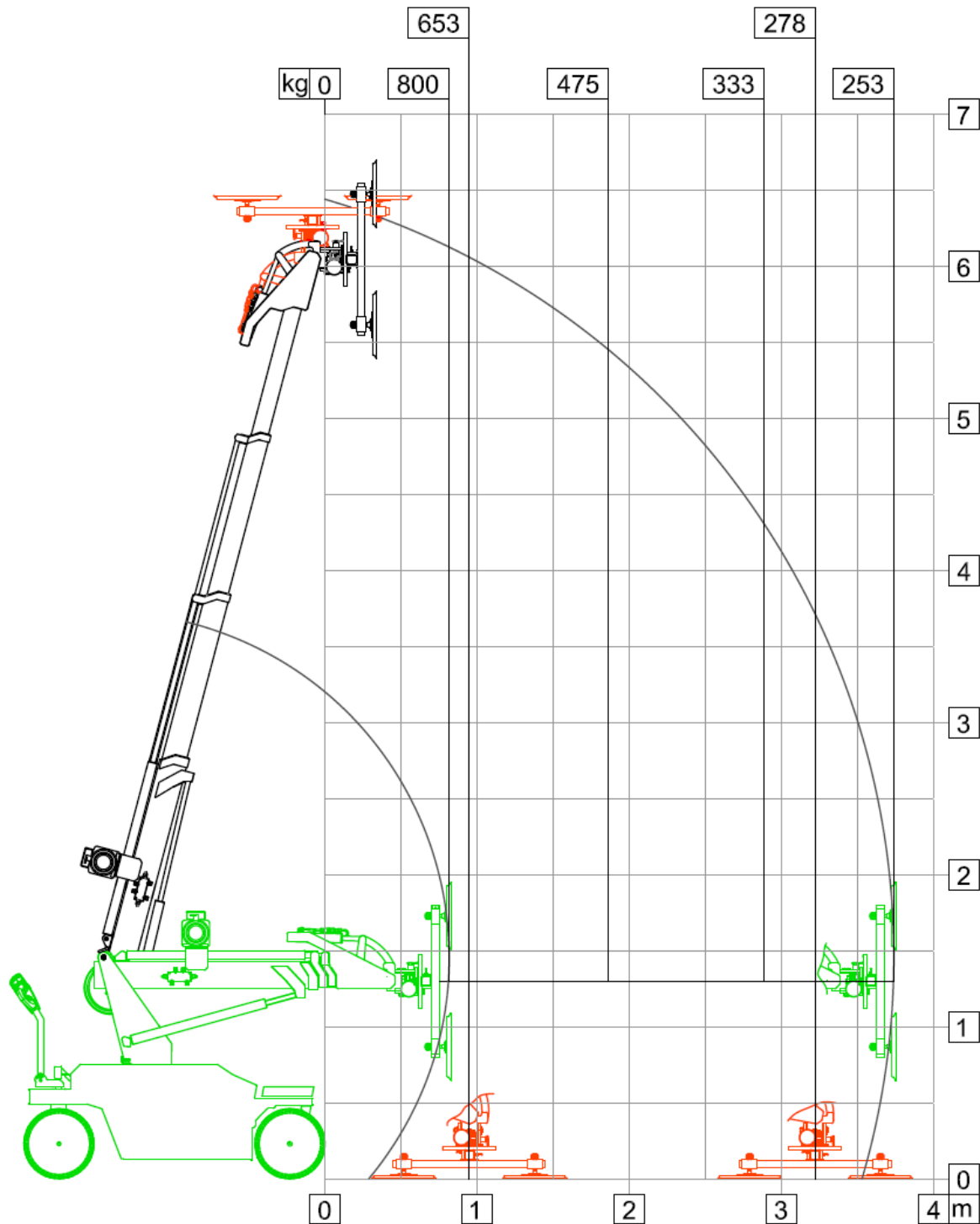


- Cart Attachment

OVERALL DIMENSIONS
KIRPY AR800



AR800 - LOAD DIAGRAM



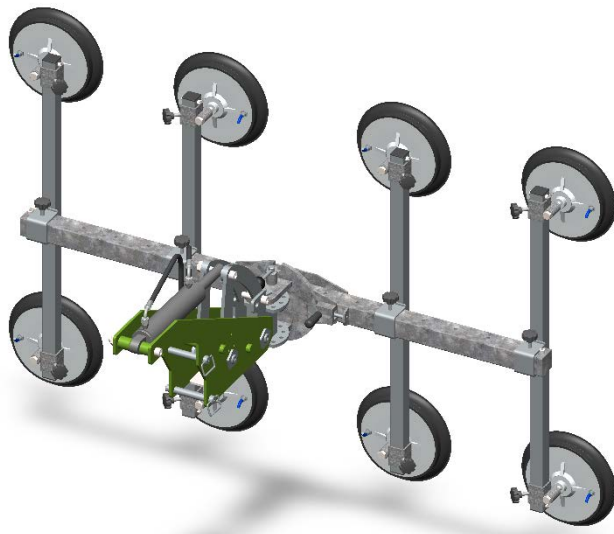
TECHNICAL DATA

Lifting capacity (arm in / extended)	800 kg / 250 kg
Own weight	1300 kg
Operation time	8 h
Charging time	10 h
Charging voltage	110-220 V
Battery	4 x 12V 100 Ah
Powered head tilt	90° up & 90° down
Powered lateral side shift	50 mm left & 50 mm right
Powered pad frame rotation	360° unlimited rotation
Manual head slew	Lockable 90° left
Vacuum system	2 pumps, 2 vacuum reserve tanks

REMARKS REFERRING TO LOAD CHART

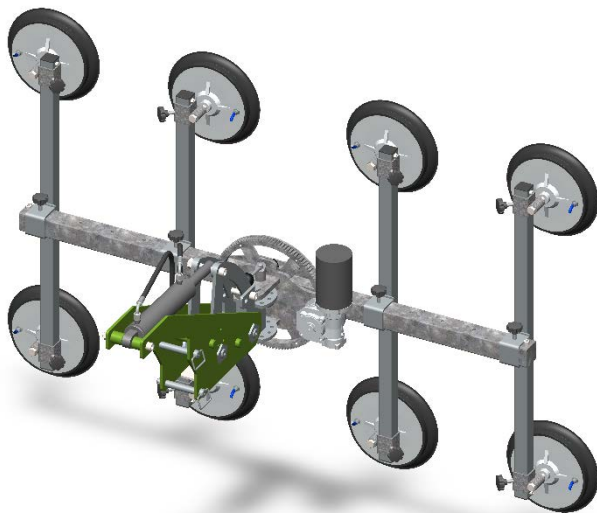
- Load charts are calculated according to EN 13000.
- Lifting capacities are given in kilograms.
- The weight of the hook blocks and hooks is part of the load and therefore it must be deducted from the lifting capacities.
- A maximum offset of 5 cm is allowed between the center of the glass and the center of the vacuum attachment. Otherwise, it should be noted that the rotation motor cannot fulfill its task.
- Subject to modification of lifting capacities.

ATTACHMENT FEATURES



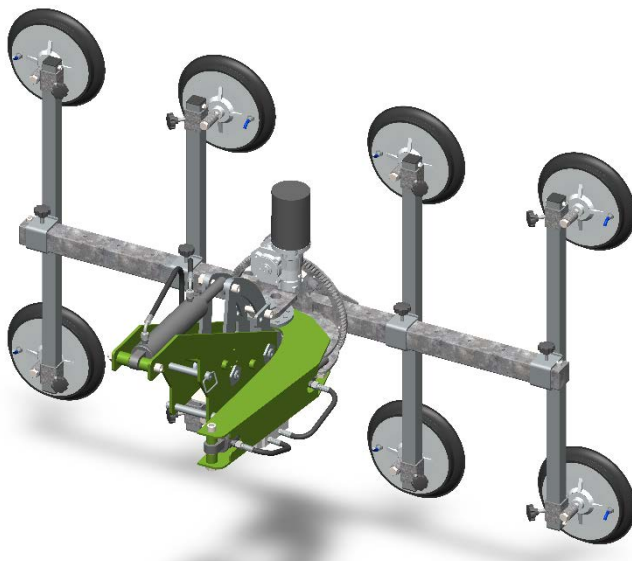
• Manual Vacuum Pad Attachment MR-MS/800

Lifting Capacity	800 kg
Attachment Weight	100 kg
Frame Dimensions	1860 x 1190 mm
Rotation Angle	Lockable 90° cc & 90° ccw
Slewing Angle	Lockable 90° left & 90° right
Suction Cup features	Ø 290 mm, 8 pieces



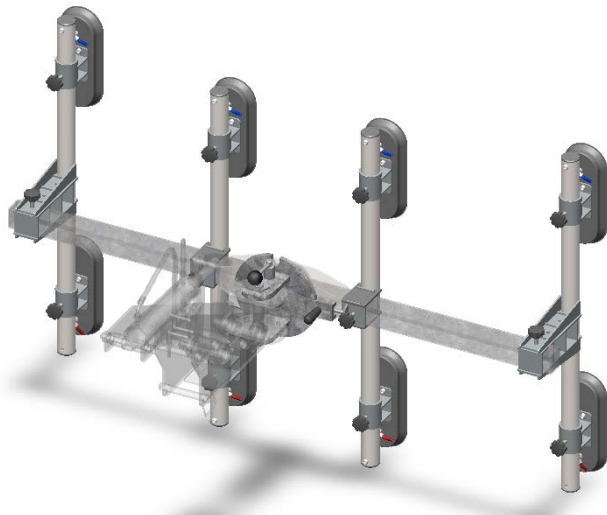
• Semi-Auto Vacuum Pad Attachment AR-MS/800

Lifting Capacity	800 kg
Attachment Weight	106 kg
Frame Dimensions	1860 x 1190 mm
Rotation Angle	Automatic 360°
Slewing Angle	Lockable 90° left & 90° right
Suction Cup features	Ø 290 mm, 8 pieces



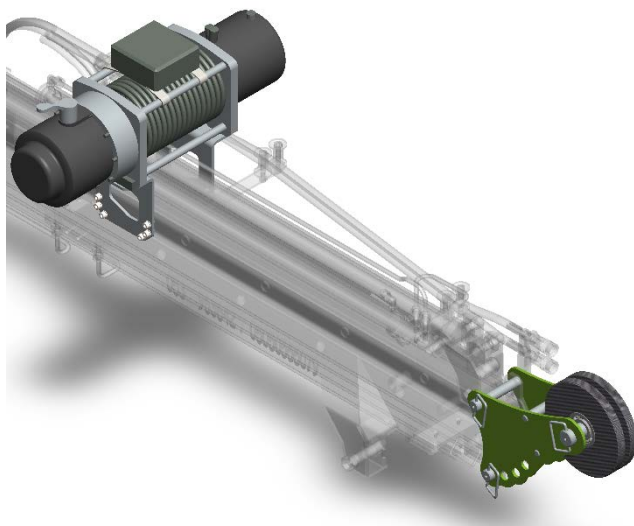
• Full-Auto Vacuum Pad Attachment AR-AS/800

Lifting Capacity	800 kg
Attachment Weight	125 kg
Frame Dimensions	1860 x 1190 mm
Rotation Angle	Auto. 360°
Slewing Angle	Auto. 85° left & 12° right
Suction Cup Features	Ø 290 mm, 8 pieces



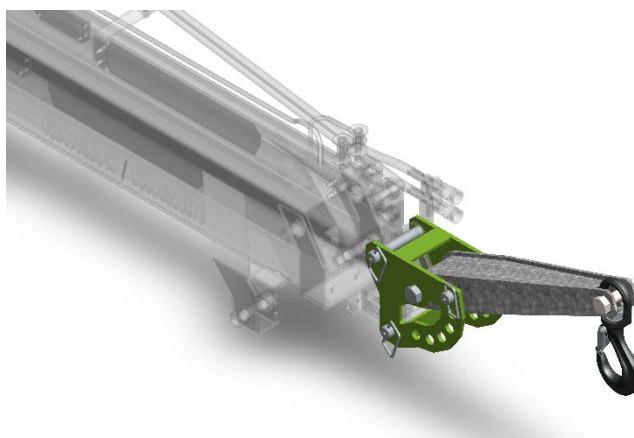
- **Curved Glass Attachment
CGA/800**

Lifting Capacity	800 kg
Attachment Weight	35 kg
Dimensions	1610 x 1000 mm
Max. Curve Diameter	R1500 mm
Suction Cup Features	300x125 mm, 8 pieces



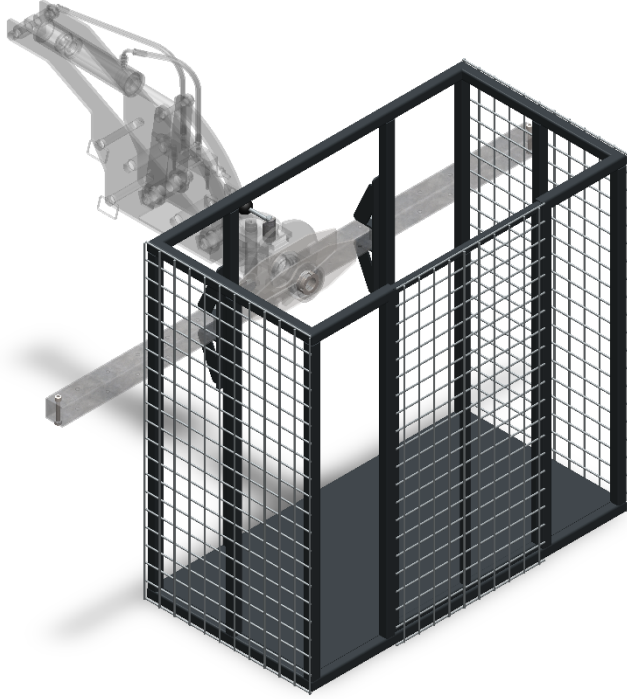
- **Electric Winch Attachment
EWA/800**

Lifting Capacity	800 kg
Attachment Weight	
Rope Length	27 mt.



- **Swivel hook attachment
SHA/800**

Lifting Capacity	800 kg
Attachment Weight	10,5 kg
Arm Length	385 mm
Working Angle	+22.5° / -90°



• Cart Attachment CA/300

Lifting Capacity	300 kg
Attachment Weight	60 ±5 kg
Dimensions	1050x550 L= 1030 mm

TR Burada açıklanan tüm spesifikasyonlar ve özellikler önceden tavsiye olmaksızın değiştirilebilir. Vinç kullanımına bağlı olarak farklı performans gösterdiğinden, belirtilen tüm veriler yalnızca gösterge niteliğindedir ve bağlayıcı değildir. **EN** All specifications and features herein described can be changed without prior advice. All indicated data are indicative only and are not binding as crane performs differently depending on its use. **IT** Tutte le caratteristiche e le specifiche descritte possono essere soggette a variazioni senza preavviso. Tutti i dati riportati sono forniti a puro titolo informativo e non sono impegnativi dal momento che le prestazioni della macchina variano in funzione dell'utilizzo. **DE** Unangekündigte Änderungen sämtlicher Eigenschaften und Daten sind möglich. Alle Angaben sind Richtwerte und nicht verbindlich da die Leistungen der Vorrichtung von deren Einsatz abhängen. **ES** Todas las características y las especificaciones aquí indicadas pueden ser sujetas a variaciones sin aviso. Se dan todos los datos aquí indicados como simples informaciones. No se consideran como vinculantes, dado que las prestaciones del maquinario pueden variar. **FR** Toutes les caractéristiques et les spécifications descriptives peut être sujet à variation sans préavis. Tout les données rapportés sont fourni à titre informatif et ne sont pas engager au moment que la prestation de la machine change en fonction de l'emploi.



SAİT KOÇAK MAKİNA SAN. VE TİC. LTD. ŞTİ.

Akçeşme Mh. 2634 Sk. No:18 Merkezefendi/DENİZLİ 20070 TURKEY,
www.singlelift.com

info@singlelift.com +90 258 999 25 56

SERIAL NUMBER 01.10.2023 Rev.01